

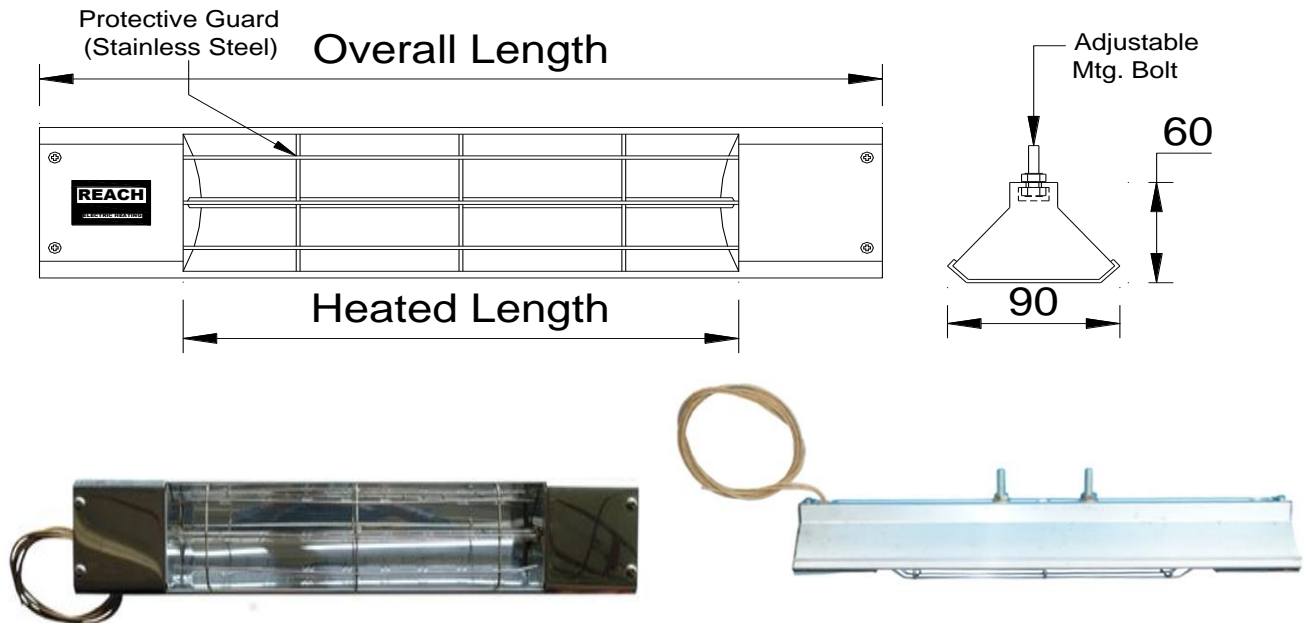
REACH

ELECTRIC HEATING, SENSING & CONTROLS

HEATING PRODUCTS

Cert. No.: SG02/00221

GW Quartz Infrared Heaters Assembly With Housing & Protective Wire Guard



HIGH INTENSITY QUARTZ – SHORT WAVE INFRA-RED (Wire Guards – Optional)

GW FV46 Quartz Heaters are ideal for applications where high intensity infra red heat and light are required. They can be mounted in rows or banks, tunnel or oven section configurations to achieve concentrated heat in many heat process applications. They can also be used for keeping food warm and well lit for a professional presentation in the commercial catering industry.

Single Element		Heated Length (mm)	Overall Length (mm)
Model (High Intensity)	Voltage / Watt		
GW FV46A	240V / 1000W	290mm	440
GW FV46B	240V / 1600W	445mm	595
GW FV46C	240V / 2000W	670mm	822
GW FV46C1	415 / 2000W	670mm	822
GW FV46D	240V / 500W	170mm	320

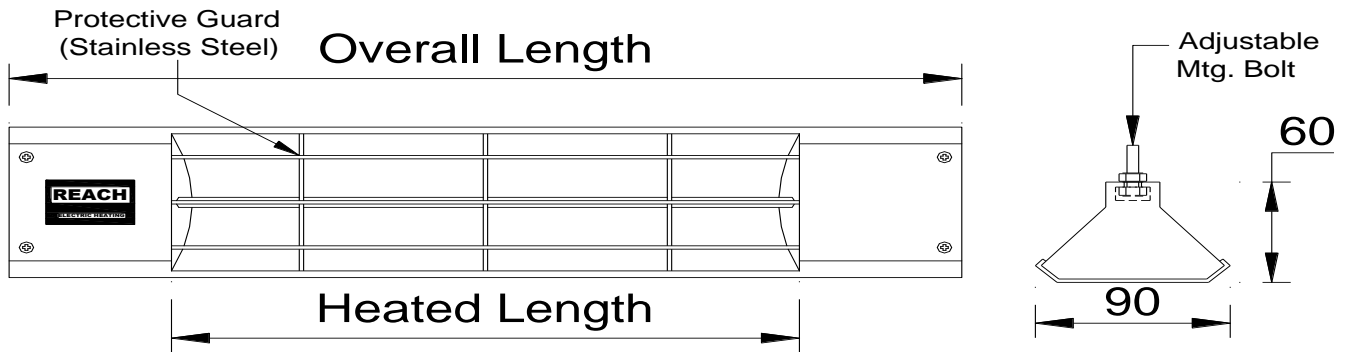
REACH

ELECTRIC HEATING, SENSING & CONTROLS

HEATING PRODUCTS



Cert. No.: SG02/00221



LOW INTENSITY QUARTZ HEAT LAMPS Complete with Wire Rod Guards

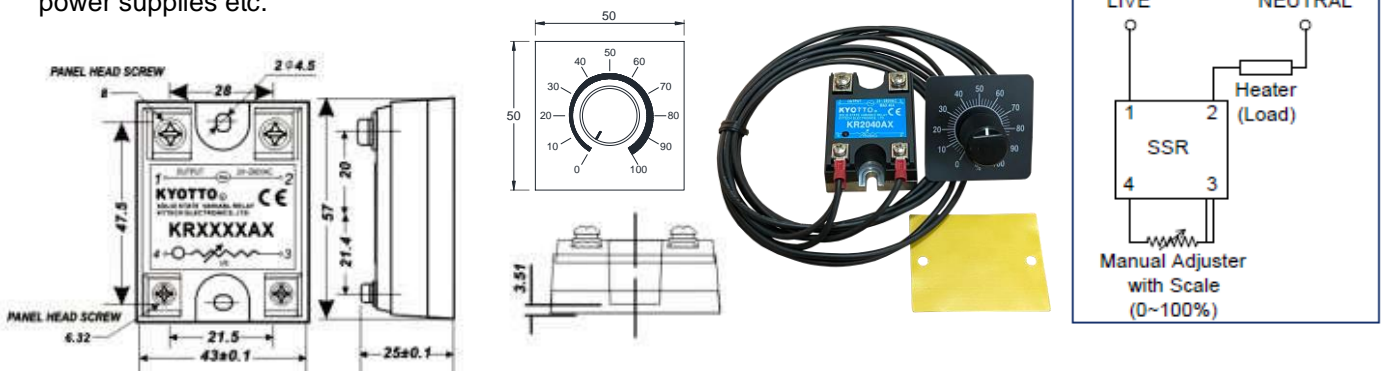
GW FV47 Quartz Heat Lamps and Assemblies are ideally suited to food warming in the Commercial Catering Industry. They can be fitted to hot food bars, for well present displays, used to warm crockery or many other uses. They also have industrial application where less intense heat and light are required.

Single Element		Heated Length (mm)	Overall Length (mm)
Model (Low Intensity)	Voltage / Watt		
GW FV47-18	240V / 300W	307mm	457
GW FV47-24	240V / 350W	460mm	610
GW FV47-30	240V / 450W	612mm	762
GW FV47-32	240V/415V 670W/2000W	670mm	822
GW FV47-36	240V / 575W	764mm	914
GW FV47-42	240V / 700W	917mm	1067
GW FV47-48	240V / 800W	1070mm	1220

KYOTTO

KR20 & KR40 -VARIABLE SOLID STATE RELAY (SSR)

Block type variable voltage output devices which by use an external potentiometer (supplied) will give an output from between 24 to 240VAC and 48 to 480VAC respectively. With a suitable heat sink the rating is 40 amps. Multiple usages such as: heater banks, lighting controls, variable power supplies etc.



REACH ELECTRICAL (S) PTE LTD

51 Ubi Ave 1, #03-05, Paya Ubi Industrial Park, Singapore 408933

Tel: (65) 6296 6860 Fax: (65) 6298 1443

Email: reach@singnet.com.sg

Website: <http://www.reachelectrical.com>

Company's Reg. No. : 199004352W G.S.T Reg. No . M2-0095215-4