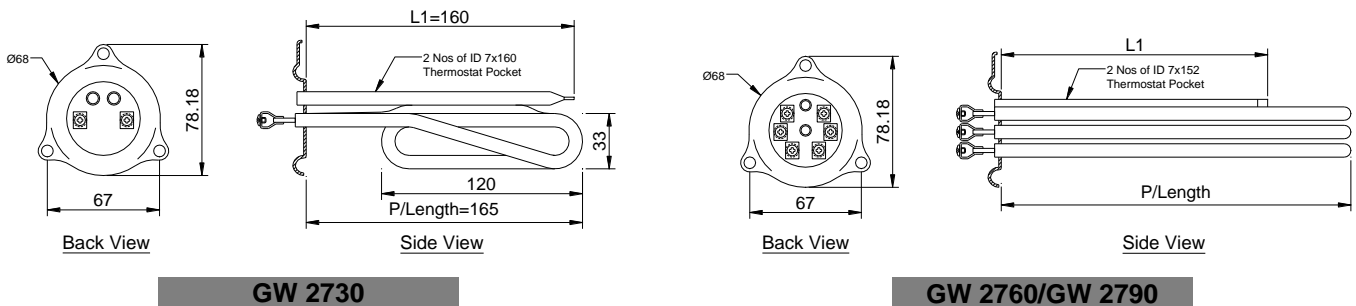
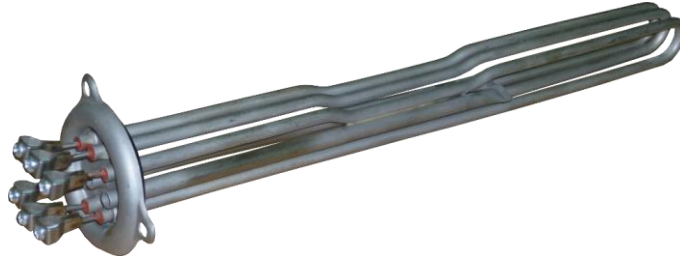


GW Round Flange Immersion Heater (3 Holes)

These electric water heating elements are widely used in domestic or commercial storage water tanks & dishwashers. These heating elements are built with 2 pockets for thermostat or sensor control.



Part No.	Voltage	Watt	Element's Diameter	No. of Element	P/Length	Pocket Length (L1)
GW 2730	220/240V	3000/3570W	6.35mm	1	165mm	160mm
TW-3D-2	220/240V	3750/4425W	8mm	3	210mm	160mm
GW 2760	220/240V	6000/7140W	6.35mm	3	210mm	160mm
GW 2790	220/240V	9000/10710W	6.35mm	3	395mm	225mm