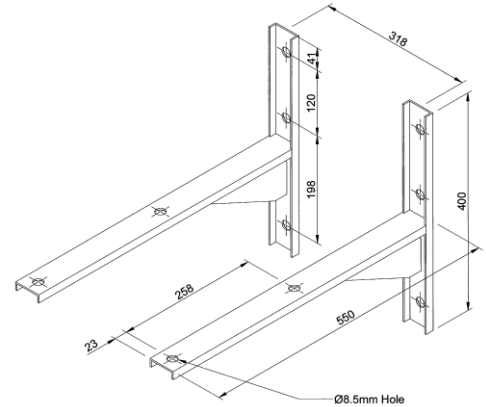


**REACH RE09 - AXIAL FAN HEATERS****Application**

- RE09 heater provides a very low initial cost per installed. Kilowatt, create minimum draught but have maximum resistance to physical impact (school halls, sports area, ships etc.).
- Whilst ideal for on / off operation in "fix and forget" installations, their simplicity means that they can also be flexibly employed in many industrial heating situations.
- Remote Control may be achieved with the Room Thermostat separate control module.

Part No.	Type	Rating	Approx. Air Temp Rise At 2250m <sup>3</sup> /hr	Amp per Phase
RE09AO	Free Standing	380V-480V 10KW	13°C	13 A
RE09BO	Free Standing	380V-480V 15KW	20°C	20 A
RE09CO	Free Standing	380V-480V 20KW	27°C	26 A
RE09-BRACKET	Powder Coated Wall Mounting Bracket (In Pairs) - Available Separately			
RE09-HANDLE	Handle			
RE09AOP1	Portable with Stand	380V-480V 10KW	13°C	15 A
RE09BOP2	Portable with Stand	380V-480V 15KW	20°C	23 A
RE09COP3	Portable with Stand	380V-480V 20KW	27°C	29 A

**Facts:**

The RE09 axial fan heaters in their various models are of heavy duty robust construction, are simple to operate comprise of the following features...

- Fixed speed axial fan blower.
- Delivers approximately 2250 cubic meters of air per hour under free air conditions.
- Over-temperature Manual Reset safety thermostat @125°C reset is included.
- Fitted with adjustable front grille and protective rear guard.
- Finned air heating elements for rapid heat dissipation. Elements rated at 380V; 415V; 440V & 480V for 3 phase Delta connection.
- Pairs of brackets available (optional extras) for mounting either to wall or ceiling with heater inverted.
- Whilst normally used with an on/off switch, connection through a thermostat and contactor for specific applications.
- Dimensions 400mm long x 500mm high x 400mm wide.
- Weight 24kg approximately.
- Air throw of RJ09 blower heaters is approximately 12 meters, resulting from a constant air velocity of 4.6 meter/sec.